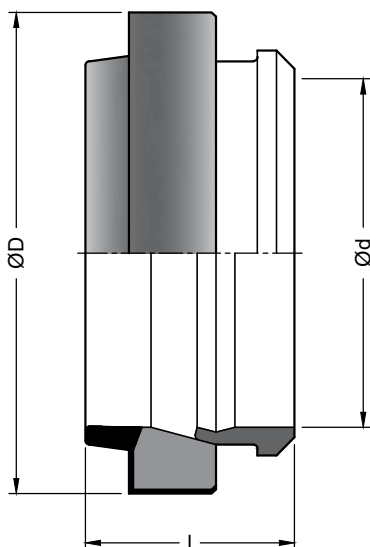


SRD Soft seal Ferrule

Suitable for Metric Tube end as per ISO 8434-1

Dimensions in mm



Series	Part No.	Ød	ØD	l
L Light 250 bar	SRD06L	06	10	9.6
	SRD08L	08	12	9.6
	SRD10L	10	14	9.6
	SRD12L	12	16	9.6
	SRD15L	15	19.5	9.6
160 bar	SRD18L	18	23.5	10
	SRD22L	22	27	12.5
100 bar	SRD28L	28	33	13
	SRD35L	35	42	14.2
	SRD42L	42	49	13.7
S Heavy 630 bar	SRD06S	06	12	9.6
	SRD08S	08	14	9.6
	SRD10S	10	16	9.6
	SRD12S	12	18	9.6
400 bar	SRD16S	16	21.5	9.6
	SRD20S	20	27	13.7
	SRD25S	25	32.5	13.7
250 bar	SRD30S	30	39	14.5
	SRD38S	38	49	13.7

Standard material : Carbon Steel

For Stainless steel material, add prefix 316 - to the part code, Example : 316-SRD25S

For Carbon Steel,

Standard surface treatment : Chrome free Alkaline Zinc Plating. For Zinc Nickel surface treatment, add suffix - ZnNi

Example : SRD25S-ZnNi