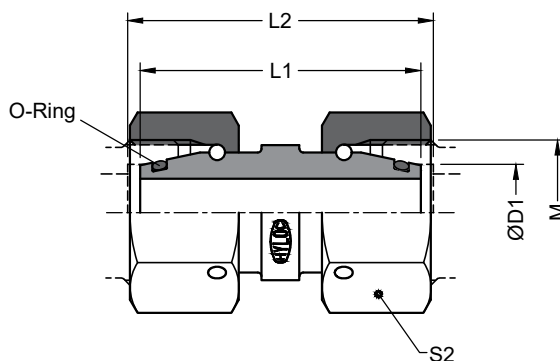



GZ Straight Swivel Union

Union with Swivel Coupling Nut.

Can be directly connected to 24° Tube end as per ISO 8434-1

Dimensions in mm



Series	Part No. Assembly	D1 	M	L1	L2	S2	O Ring ID x CSD
L Light 315 bar	GZ06L	06	M12 x 1.5	34.0	38.0	14	4.0 x 1.5
	GZ08L	08	M14 x 1.5	34.0	38.0	17	6.0 x 1.5
	GZ10L	10	M16 x 1.5	36.0	39.0	19	7.5 x 1.5
	GZ12L	12	M18 x 1.5	36.0	39.0	22	9.0 x 1.5
	GZ15L	15	M22 x 1.5	39.0	42.0	27	12.0 x 2.0
	GZ18L	18	M26 x 1.5	40.5	44.5	32	15.0 x 2.0
160 bar	GZ22L	22	M30 x 2.0	45.0	48.0	36	20.0 x 2.0
	GZ28L	28	M36 x 2.0	47.0	51.0	41	26.0 x 2.0
	GZ35L	35	M45 x 2.0	53.0	59.0	50	32.0 x 2.5
	GZ42L	42	M52 x 2.0	53.0	60.0	60	38.0 x 2.5
S Heavy 630 bar	GZ06S	06	M14 x 1.5	37.0	41.0	17	4.0 x 1.5
	GZ08S	08	M16 x 1.5	37.0	41.0	19	6.0 x 1.5
	GZ10S	10	M18 x 1.5	41.0	45.0	22	7.5 x 1.5
	GZ12S	12	M20 x 1.5	42.0	46.0	24	9.0 x 1.5
400 bar	GZ16S	16	M24 x 1.5	46.0	51.0	30	12.0 x 2.0
	GZ20S	20	M30 x 2.0	55.0	60.0	36	16.3 x 2.4
	GZ25S	25	M36 x 2.0	58.0	67.0	46	20.3 x 2.4
	GZ30S	30	M42 x 2.0	62.0	73.0	50	25.3 x 2.4
315 bar	GZ38S	38	M52 x 2.0	67.0	84.0	60	33.3 x 2.4

Standard material : Carbon Steel

For Stainless steel material, add prefix 316 - to the part code

Example : 316-GZ16S

Standard surface treatment : Chrome free Alkaline Zinc Plating.

For Zinc Nickel surface treatment, add suffix - ZnNi

Example : GZ16S-ZnNi