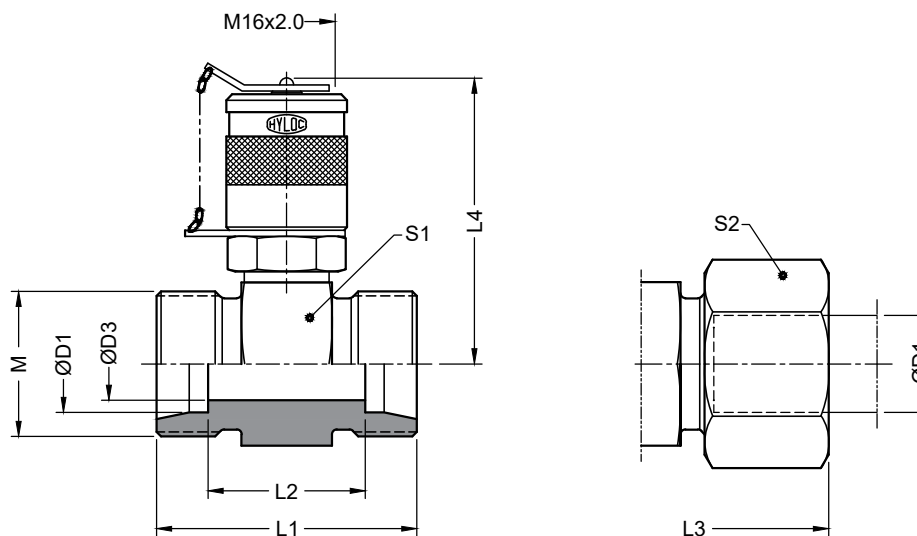


GMMC Straight Couplings with Diagnostic

24° Tube end as per ISO 8434-1

Dimensions in mm



Series	Part No. Body	Part No. Assembly	D1	D3	L1	L2	Approx. L3	Approx. L4	S1	S2	
L Light 250 bar	GMMC06XL	GMMC06PL	06	4	35	21	56	50	24	14	
	GMMC08XL	GMMC08PL	08	6	35	21	55	50	24	17	
	GMMC10XL	GMMC10PL	10	7	37	23	59	50	24	19	
	GMMC12XL	GMMC12PL	12	8	37	23	58	51.5	27	22	
	GMMC15XL	GMMC15PL	15	11	39	25	62	53	30	27	
	160 bar	GMMC18XL	GMMC18PL	18	14	39	24	63	54	32	32
		GMMC22XL	GMMC22PL	22	18	43	28	68	56	36	36
	100 bar	GMMC28XL	GMMC28PL	28	23	43	28	70	58.5	41	41
		GMMC35XL	GMMC35PL	35	30	47	26	78	61	46	50
		GMMC42XL	GMMC42PL	42	36	47	25	78	65.5	55	60
S Heavy 630 bar	GMMC06XS	GMMC06PS	06	4	39	25	60	50	24	17	
	GMMC08XS	GMMC08PS	08	5	39	25	59	50	24	19	
	GMMC10XS	GMMC10PS	10	7	39	24	63	50	24	22	
	GMMC12XS	GMMC12PS	12	7	39	24	62	50	24	24	
	400 bar	GMMC16XS	GMMC16PS	16	11	43	26	69	53	30	30
		GMMC20XS	GMMC20PS	20	15	47	26	77	56	36	36
		GMMC25XS	GMMC25PS	25	20	51	27	83	58.5	41	46
	250 bar	GMMC30XS	GMMC30PS	30	25	55	28	90	61	46	50
		GMMC38XS	GMMC38PS	38	32	61	29	98	65.5	55	60

Assembly consists of Double bite ferrule.

For soft seal ferrules, replace 'P' with 'SRD' in Part code. Example : GMMC16SRDS

Standard material : Carbon Steel

For Stainless steel material, add prefix 316 - to the part code

Example : 316-GMMC16PS

Standard surface treatment : Chrome free Alkaline Zinc Plating.

For Zinc Nickel surface treatment, add suffix - ZnNi

Example : GMMC16PS-ZnNi