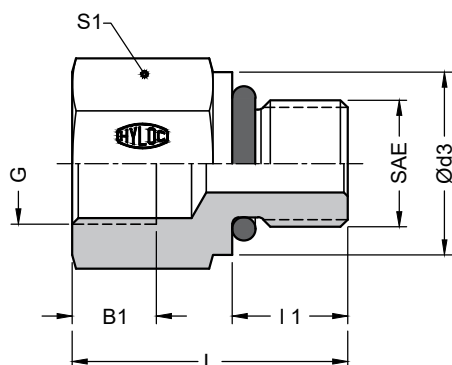


MFA- S - G Male Female Adaptors

Male thread : UN/UNF (SAE)
with O-Ring sealing (NBR 90 Shore)

Dimensions in mm

Female thread : BSPP (G)



Pressure (bar)	Part No.	Male SAE Class 2A	Female thread 'G'	Ød3	l 1	B1	L	S1	O-Ring
350	MFAS02G01	5/16" - 24	G 1/8	11	7.5	9	24	17	6.07 x 1.63
350	MFAS03G01	3/8" - 24	G 1/8	13	7.5	9	24	17	7.65 x 1.63
350	MFAS04G02	7/16" - 20	G 1/4	14.5	9	13	32	22	8.92 x 1.83
350	MFAS05G02	1/2" - 20	G 1/4	16	9	13	32	22	10.52 x 1.83
350	MFAS06G02	9/16" - 18	G 1/4	17.5	10	13	34	22	11.89 x 1.98
350	MFAS08G03	3/4" - 16	G 3/8	22	11	13	34	27	16.36 x 2.21
350	MFAS10G04	7/8" - 14	G 1/2	25.5	13	15	40	30	19.18 x 2.46
350	MFAS12G06	1.1/16" - 12	G 3/4	32	15	17	45	36	23.47 x 2.95
350	MFAS14G08	1.3/16" - 12	G1	35	15	19	50	46	26.62 x 2.95
350	MFAS16G08	1.5/16" - 12	G1	38	15	19	50	46	29.74 x 2.95
350	MFAS20G10	1.5/8" - 12	G 1.1/4	48	15	21	55	55	37.47 x 3.00
350	MFAS24G12	1.7/8" - 12	G 1.1/2	54	15	23	55	60	43.69 x 3.00
350	MFAS32G16	2.1/2" - 12	G2	70	15	25	60	75	59.36 x 3.00

Standard material : Carbon Steel

For Stainless steel material, add prefix 316 - to the part code Example : 316 - MFAS14G08

Standard surface treatment : Chrome free Alkaline Zinc Plating.

For Zinc Nickel surface treatment, add suffix - ZnNi Example : MFAS14G08 - ZnNi