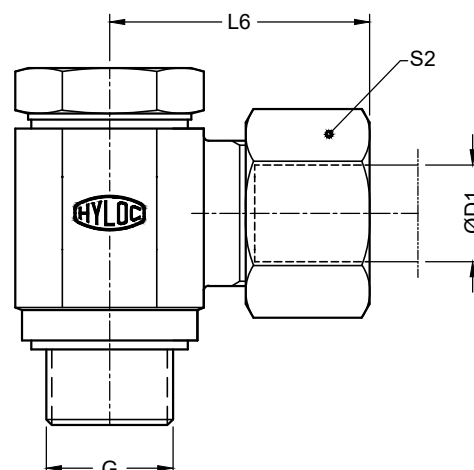
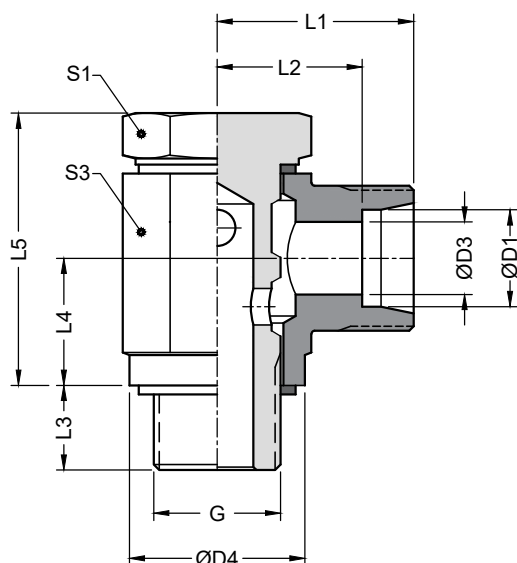


# HSWV-G Banjo Couplings

24° Tube end as per ISO 8434-1

Stud end - Male BSPP (G) threads

Dimensions in mm



Series	Part No. Body	Part No. Assembly	D1	D3	G Male BSPP thread	D4	L1	L2	L3	L4	L5	Approx. L6	S1	S2	S3
L Light 250 bar	HSWV06XLG	HSWV06PLG	06	4	G 1/8 A	15	19.5	12.5	8	12	28	30	19	14	19
	HSWV08XLG	HSWV08PLG	08	6	G 1/4 A	20	21	14	12	15	33	31	19	17	22
	HSWV10XLG	HSWV10PLG	10	8	G 1/4 A	20	22	15	12	15	33	33	19	19	22
	HSWV12XLG	HSWV12PLG	12	10	G 3/8 A	24	24.5	17.5	12	18	40	35	22	22	27
	HSWV15XLG	HSWV15PLG	15	12	G 1/2 A	29	30	23	14	21	45	41.5	27	27	32
100 bar	HSWV18XLG	HSWV18PLG	18	15	G 1/2 A	29	27	19.5	14	21	45	39	27	32	32
	HSWV22XLG	HSWV22PLG	22	19	G 3/4 A	35	34.5	27	16	24	53	47	32	36	41
100 bar	HSWV28XLG	HSWV28PLG	28	24	G 1 A	43	43	29.5	18	29.5	63.5	56.5	41	41	46
	HSWV35XLG	HSWV35PLG	35	30	G1.1/4 A	53	45.5	35	20	33	74	61	50	50	55 *
	HSWV42XLG	HSWV42PLG	42	36	G1.1/2 A	59	51	40	22	38.5	83	66.5	60	60	70 *
S Heavy 400 bar	HSWV06XSG	HSWV06PSG	06	4	G 1/4 A	20	23	16	12	15	33	33.5	19	17	22
	HSWV08XSG	HSWV08PSG	08	5	G 1/4 A	20	23	16	12	15	33	33	19	19	22
	HSWV10XSG	HSWV10PSG	10	7	G 3/8 A	24	25.5	18	12	18	40	37.5	22	22	27
	HSWV12XSG	HSWV12PSG	12	8	G 3/8 A	24	25.5	18	12	18	40	37	22	24	27
400 bar	HSWV16XSG	HSWV16PSG	16	12	G 1/2 A	29	30	21.5	14	21	45	43	27	30	32
	HSWV20XSG	HSWV20PSG	20	16	G 3/4 A	35	38.5	28	16	24	53	53.5	32	36	41
	HSWV25XSG	HSWV25PSG	25	20	G1 A	43	43	31	18	29.5	63.5	59	41	46	46
250 bar	HSWV30XSG	HSWV30PSG	30	25	G1.1/4 A	53	50	36.5	20	33	74	67.5	50	50	60 *
	HSWV38XSG	HSWV38PSG	38	32	G1.1/2 A	59	57	41	22	38.5	83	75.5	60	60	70 *

\* Body machined from flat

Assembly consists of Double bite ferrule.

For soft seal ferrules, replace 'P' with 'SRD' in Part code. Example : HSWV16SRDSG

Standard material : Carbon Steel

For Stainless steel material, add prefix 316 - to the part code

Example : 316-HSWV16PSG

Standard surface treatment : Chrome free Alkaline Zinc Plating.

For Zinc Nickel surface treatment, add suffix - ZnNi

Example : HSWV16PSG-ZnNi