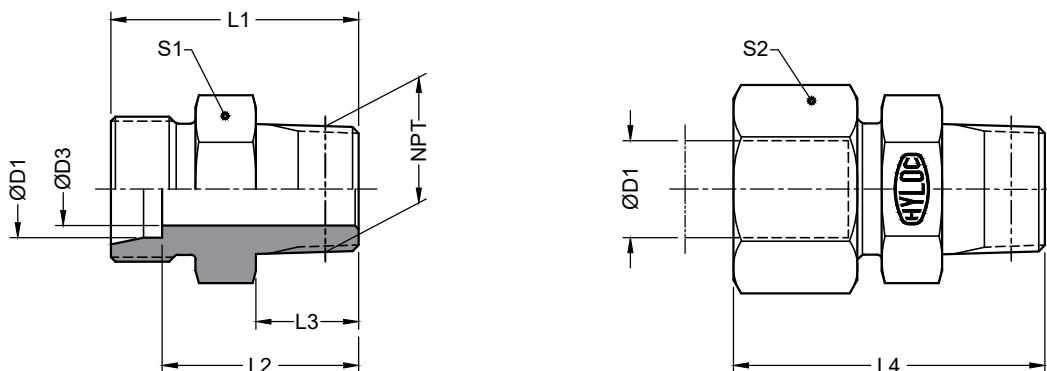



GE-N Male Stud Couplings

24° Tube end as per ISO 8434-1
Male NPT stud end

Dimensions in mm



Series	Part No. Body	Part No. Assembly	D1 	D3	Male NPT thread	L1	L2	L3	Approx. L4	S1	S2
L Light 250 bar	GE06XLN	GE06PLN	06	4	1/8"-27	24	17	9.9	34.5	12	14
	GE06XLN02	GE06PLN02	06	4	1/4"-18	30	23	15.1	40.5	17	14
	GE08XLN	GE08PLN	08	6	1/4"-18	30	23	15.1	40	17	17
	GE10XLN	GE10PLN	10	8	1/4"-18	31	24	15.1	42	17	19
	GE12XLN02	GE12PLN02	12	9	1/4"-18	32	25	15.1	42.5	19	22
	GE12XLN	GE12PLN	12	9	3/8"-18	32	25	15.2	42.5	19	22
	GE12XLN04	GE12PLN04	12	9	1/2"-14	37	30	19.8	47.5	22	22
160 bar	GE15XLN	GE15PLN	15	12	1/2"-14	38	31	19.8	49.5	24	27
	GE18XLN	GE18PLN	18	15	1/2"-14	39	31.5	19.8	51	27	32
100 bar	GE22XLN	GE22PLN	22	19	3/4"-14	41	33.5	20.1	53.5	32	36
	GE28XLN	GE28PLN	28	24	1"-11 1/2	47	39.5	25	60.5	41	41
S Heavy 630 bar	GE35XLN	GE35PLN	35	30	1.1/4"-11 1/2	51	40.5	25.6	66.5	46	50
	GE42XLN	GE42PLN	42	36	1.1/2"-11 1/2	53	42	26	68.5	55	60
	GE06XSN	GE06PSN	06	4	1/4"-18	35	28	15.1	45.5	17	17
400 bar	GE08XSN	GE08PSN	08	5	1/4"-18	35	28	15.1	45	17	19
	GE10XSN02	GE10PSN02	10	7	1/4"-18	35	27.5	15.1	47	19	22
	GE10XSN	GE10PSN	10	7	3/8"-18	35	27.5	15.2	47	19	22
	GE12XSN02	GE12PSN02	12	8	1/4"-18	37	29.5	15.1	48.5	22	24
	GE12XSN	GE12PSN	12	8	3/8"-18	37	29.5	15.2	48.5	22	24
	GE12XSN04	GE12PSN04	12	8	1/2"-14	42	34.5	19.8	53.5	22	24
250 bar	GE16XSN	GE16PSN	16	12	1/2"-14	44	35.5	19.8	56.5	27	30
	GE20XSN	GE20PSN	20	16	3/4"-14	48	37.5	20.1	63	32	36
	GE25XSN	GE25PSN	25	20	1"-11 1/2	57	45	25	73	41	46
250 bar	GE30XSN	GE30PSN	30	25	1.1/4"-11 1/2	60	46.5	25.6	77.5	46	50
	GE38XSN	GE38PSN	38	32	1.1/2"-11 1/2	65	49	26	83.5	55	60

Assembly consists of Double bite ferrule.

For soft seal ferrules, replace 'P' with 'SRD' in Part code. Example : GE16SRDSN
Standard material : Carbon Steel

For Stainless steel material, add prefix 316 - to the part code

Example : 316-GE16PSN

Standard surface treatment : Chrome free Alkaline Zinc Plating.

For Zinc Nickel surface treatment, add suffix - ZnNi

Example : GE16PSN-ZnNi