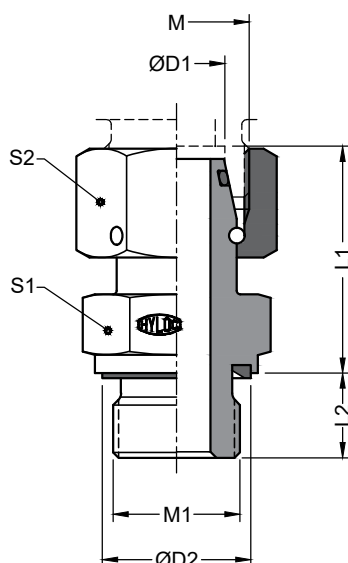



EGE-ME Straight Stud Standpipes

Metric standpipe with Swivel Coupling Nut.

Male Metric (M) threads as per
DIN 3852, Part 11 / ISO 9974 Form E
with Elastomeric seal

Dimensions in mm



Series	Part No. Assembly	D1 	M1 Male Metric thread	D2	M	L1	L2	S1	S2	O Ring ID x CSD
L Light 315 bar	EGE06LME	06	M10 x 1.0	14	M12 x 1.5	24.5	8	14	14	4.0 x 1.5
	EGE08LME	08	M12 x 1.5	17	M14 x 1.5	26.5	12	17	17	6.0 x 1.5
	EGE10LME	10	M14 x 1.5	19	M16 x 1.5	27.5	12	19	19	7.5 x 1.5
	EGE12LME	12	M16 x 1.5	22	M18 x 1.5	30.5	12	22	22	9.0 x 1.5
	EGE15LME	15	M18 x 1.5	24	M22 x 1.5	31.5	12	24	27	12.0 x 2.0
	EGE18LME	18	M22 x 1.5	27	M26 x 1.5	31.5	14	27	32	15.0 x 2.0
160 bar	EGE22LME	22	M26 x 1.5	32	M30 x 2.0	32.5	16	32	36	20.0 x 2.0
	EGE28LME	28	M33 x 2.0	40	M36 x 2.0	35	18	41	41	26.0 x 2.0
	EGE35LME	35	M42 x 2.0	50	M45 x 2.0	42.5	20	50	50	32.0 x 2.5
	EGE42LME	42	M48 x 2.0	55	M52 x 2.0	46.5	22	55	60	38.0 x 2.5
S Heavy 630 bar	EGE06SME	06	M12 x 1.5	17	M14 x 1.5	27	12	17	17	4.0 x 1.5
	EGE08SME	08	M14 x 1.5	19	M16 x 1.5	29.5	12	19	19	6.0 x 1.5
	EGE10SME	10	M16 x 1.5	22	M18 x 1.5	32	12	22	22	7.5 x 1.5
	EGE12SME	12	M18 x 1.5	24	M20 x 1.5	34	12	24	24	9.0 x 1.5
400 bar	EGE16SME	16	M22 x 1.5	27	M24 x 1.5	37	14	27	30	12.0 x 2.0
	EGE20SME	20	M27 x 2.0	32	M30 x 2.0	43	16	32	36	16.3 x 2.4
	EGE25SME	25	M33 x 2.0	40	M36 x 2.0	48	18	41	46	20.3 x 2.4
	EGE30SME	30	M42 x 2.0	50	M42 x 2.0	51	20	50	50	25.3 x 2.4
315 bar	EGE38SME	38	M48 x 2.0	55	M52 x 2.0	60	22	55	60	33.3 x 2.4

Standard material : Carbon Steel

For Stainless steel material, add prefix 316 - to the part code

Example : 316-EGE16SME

Standard surface treatment : Chrome free Alkaline Zinc Plating.

For Zinc Nickel surface treatment, add suffix - ZnNi

Example : EGE16SME-ZnNi