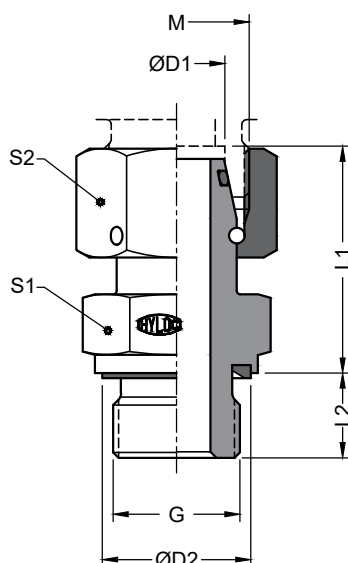



# EGE-GE Straight Stud Standpipes

Metric standpipe with Swivel Coupling Nut.

Male BSPP (G) threads as per  
DIN 3852, Part 11 with Elastomeric seal

Dimensions in mm



Series	Part No. Assembly	D1 	G Male BSPP thread	D2	M	L1	L2	S1	S2	O Ring ID x CSD
<b>L</b> Light 315 bar	<b>EGE06LGE</b>	06	G 1/8 A	14	M12 x 1.5	24.5	8	14	14	4.0 x 1.5
	<b>EGE08LGE</b>	08	G 1/4 A	19	M14 x 1.5	29.5	12	19	17	6.0 x 1.5
	<b>EGE10LGE</b>	10	G 1/4 A	19	M16 x 1.5	27.5	12	19	19	7.5 x 1.5
	<b>EGE12LGE</b>	12	G 3/8 A	22	M18 x 1.5	34	12	22	22	9.0 x 1.5
	<b>EGE15LGE</b>	15	G 1/2 A	27	M22 x 1.5	32	14	27	27	12.0 x 2.0
	<b>EGE18LGE</b>	18	G 1/2 A	27	M26 x 1.5	31.5	14	27	32	15.0 x 2.0
160 bar	<b>EGE22LGE</b>	22	G 3/4 A	32	M30 x 2.0	32.5	16	32	36	20.0 x 2.0
	<b>EGE28LGE</b>	28	G 1 A	40	M36 x 2.0	35	18	41	41	26.0 x 2.0
	<b>EGE35LGE</b>	35	G1.1/4 A	50	M45 x 2.0	42.5	20	50	50	32.0 x 2.5
	<b>EGE42LGE</b>	42	G1.1/2 A	55	M52 x 2.0	46.5	22	55	60	38.0 x 2.5
<b>S</b> Heavy 630 bar	<b>EGE06SGE</b>	06	G 1/4 A	19	M14 x 1.5	27	12	19	17	4.0 x 1.5
	<b>EGE08SGE</b>	08	G 1/4 A	19	M16 x 1.5	29.5	12	19	19	6.0 x 1.5
	<b>EGE10SGE</b>	10	G 3/8 A	22	M18 x 1.5	32	12	22	22	7.5 x 1.5
	<b>EGE12SGE</b>	12	G 3/8 A	22	M20 x 1.5	34	12	22	24	9.0 x 1.5
400 bar	<b>EGE16SGE</b>	16	G 1/2 A	27	M24 x 1.5	37	14	27	30	12.0 x 2.0
	<b>EGE20SGE</b>	20	G 3/4 A	32	M30 x 2.0	43	16	32	36	16.3 x 2.4
	<b>EGE25SGE</b>	25	G 1 A	40	M36 x 2.0	48	18	41	46	20.3 x 2.4
	<b>EGE30SGE</b>	30	G1.1/4 A	50	M42 x 2.0	51	20	50	50	25.3 x 2.4
315 bar	<b>EGE38SGE</b>	38	G1.1/2 A	55	M52 x 2.0	60	22	55	60	33.3 x 2.4

Standard material : Carbon Steel

For Stainless steel material, add prefix 316 - to the part code

Example : 316-EGE16SGE

Standard surface treatment : Chrome free Alkaline Zinc Plating.

For Zinc Nickel surface treatment, add suffix - ZnNi

Example : EGE16SGE-ZnNi