

Description

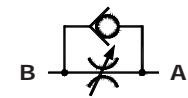
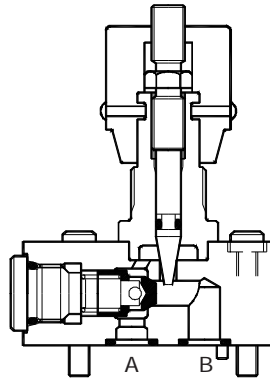
The Valve allows accurate adjustment of flow by throttling action. The throttling can be varied by rotation of the Hand knob.

The valve is also equipped with a built - in check valve for free reverse flow.

The mounting Interface conforms to ISO 5781-1987 standard.

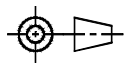


Section

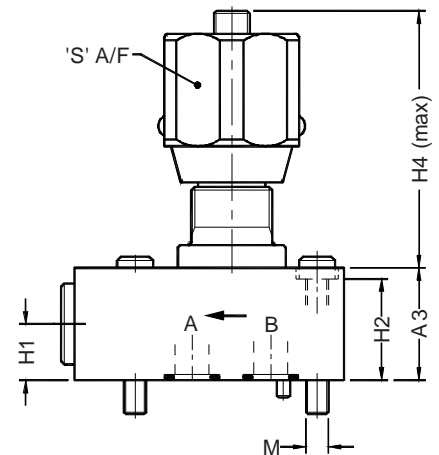


Hydraulic Symbol

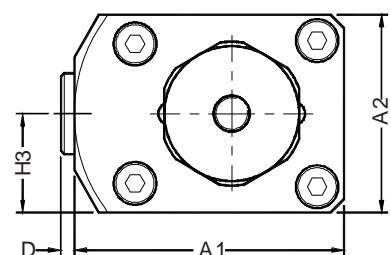
Unit Dimensions



Ordering Code	A1	A2	A3	H1	H2	H3	H4 (max)	D	S
TCMS06-2.0	60	44	25	12.5	22.5	22.0	64.0	3	30
TCMS10-2.0	81	88	40	22.5	40.0	44.0	81.5	3	41
TCMS20-2.0	106	100	50	25.0	45.0	50.0	120.0	4	50
TCMS30-2.0	135	117	70	35.0	65.0	58.5	120.0	4	50



Ordering Code	Valve fixing Screws	Grade
TCMS06-2.0	M5x0.8x30 Long, 4 nos	10.9
TCMS10-2.0	M10x1.5x55 Long, 4 nos	10.9
TCMS20-2.0	M10x1.5x60 Long, 4 nos	10.9
TCMS30-2.0	M10x1.5x80 Long, 6 nos	10.9



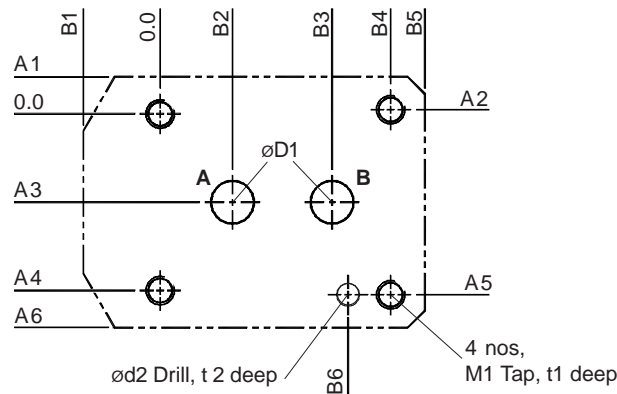
Throttle/Check Valves, Sub-plate mounting, Model : TCMS



the right connection
the right environment

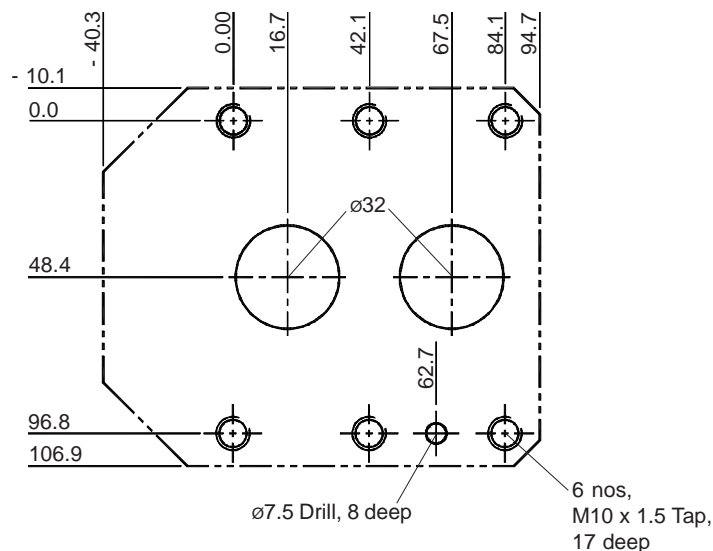
Ref. No : H06105 Release March 2018 (Dimensions in mm)

Interface Details for NG - 06, NG - 10 and NG - 20
as per ISO 5781-1987



Ordering Code	$\varnothing D1$	A1	A2	A3	A4	A5	A6	B1	B2	B3	B4	B5	B6	M1	t1	$\varnothing d2$	t2
TCMS06-2.0	7.5	-6.50	-0.75	15.5	31.0	31.75	37.5	-13.5	12.7	30.2	40.5	46.5	33.0	M5 x 0.8	9	4.0	5
TCMS10-2.0	14.0	-10.65	0.00	33.3	66.7	66.7	77.35	-27.5	7.1	35.7	42.9	53.5	31.8	M10 x 1.5	17	7.5	8
TCMS20-2.0	22.0	-10.30	0.00	39.7	79.4	79.4	89.7	-34.5	11.1	49.2	60.3	71.5	44.5	M10 x 1.5	17	7.5	8

Interface Details for NG - 30



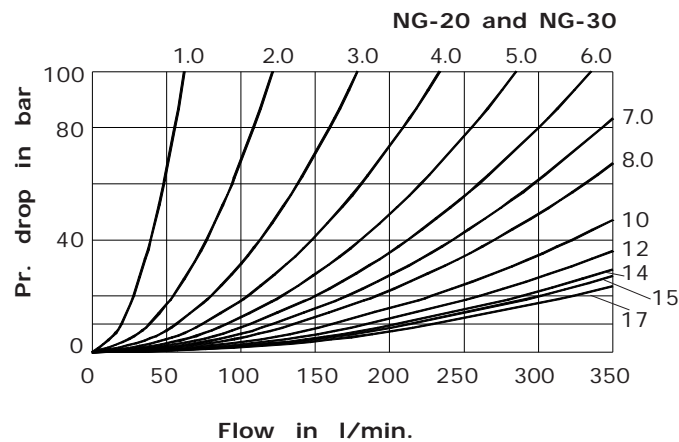
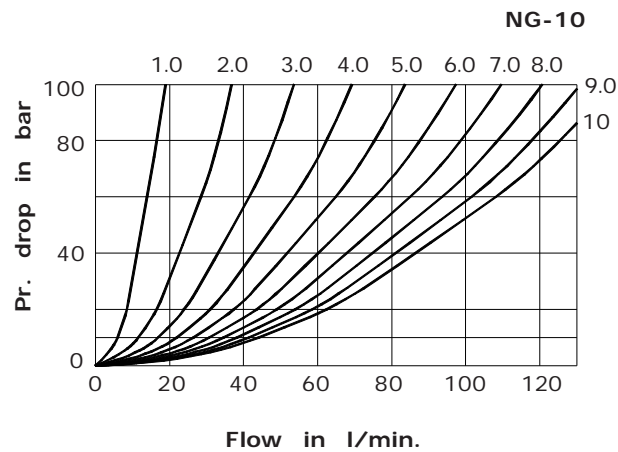
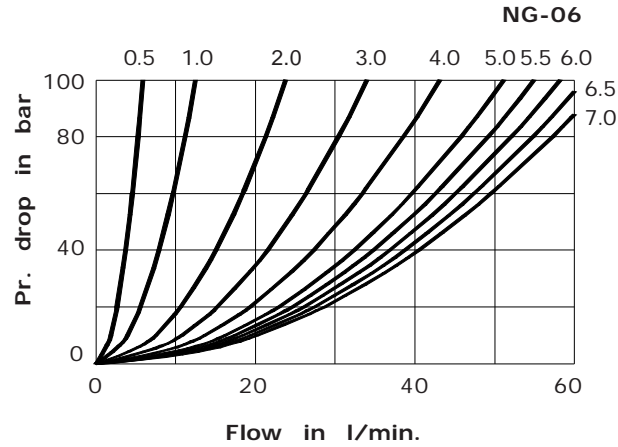
Ordering Code

- Construction Conical throttling spool with rotation of hand knob for flow adjustment. Poppet valve for free reverse flow.
- Mounting style Sub-plate mounting
- Mounting Interface As per ISO 5781-1987
- Mounting position Optional
- Flow direction Adjustable throttled flow from A to B, free flow from B to A as indicated on valve body.
- Operating pressure 315 bar
- Hydraulic medium Mineral Oil.
- Viscosity range 10 cSt to 380 cSt.
- Fluid temperature range -20 °C to +80 °C
- Fluid Cleanliness requirement As per ISO 19/16 or better.
- Nom. flow handling capacity Refer graphs

Expected performance Curves

Oil used : ISO VG 68,
 Viscosity : 68 cSt @ 40 °C
 Direction of flow : A to B

Graphs below shows
 Throttle position (No.of turns) from closed position



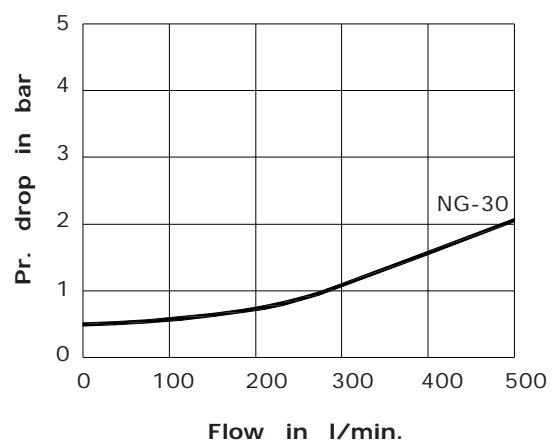
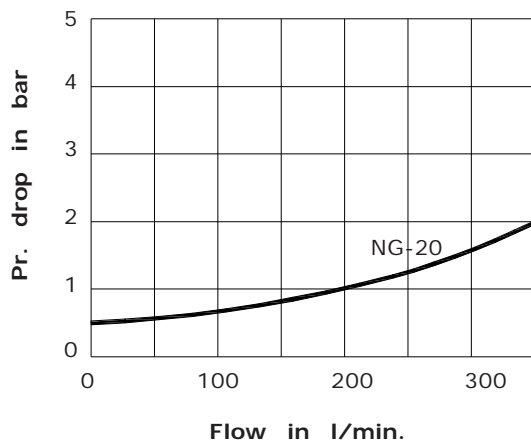
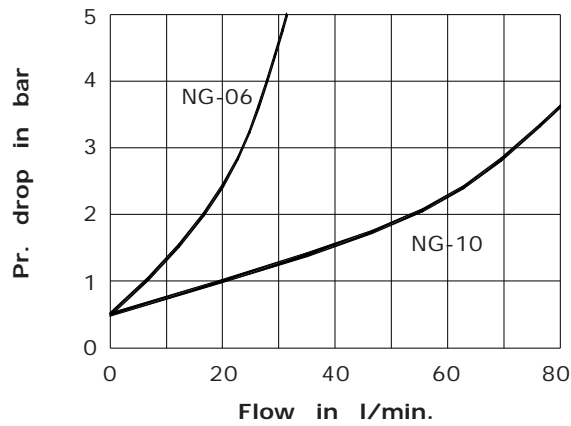
Throttle/Check Valves, Sub-plate mounting, Model : TCMS



the right connection
the right environment

Ref. No : H06105 Release March 2018 (Dimensions in mm)

Direction of free flow from B' to A'



Ordering Code

