

Shut off Valve, In-line flange mounting, Model : SLBF-A/D-✱-2.0



the right connection
the right environment

Ref. No : H04181, Release March 2018 (Dimensions in mm)

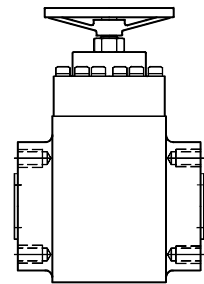
Description

Seat type valve with replaceable cartridge.
Balanced poppet construction to reduce operating forces.

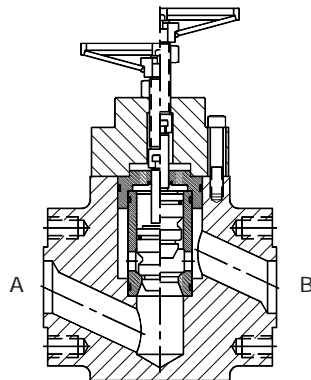
Can also be used for throttling the flow.

Provision for locking the spindle in any set position.
(for throttling purpose).

Inlet and outlet ports are provided with provision for mounting of flanges as per ANSI B16.5 and DIN 2628 (250 bar) flanges.



Section



A B
Hydraulic Symbol

Unit Dimensions

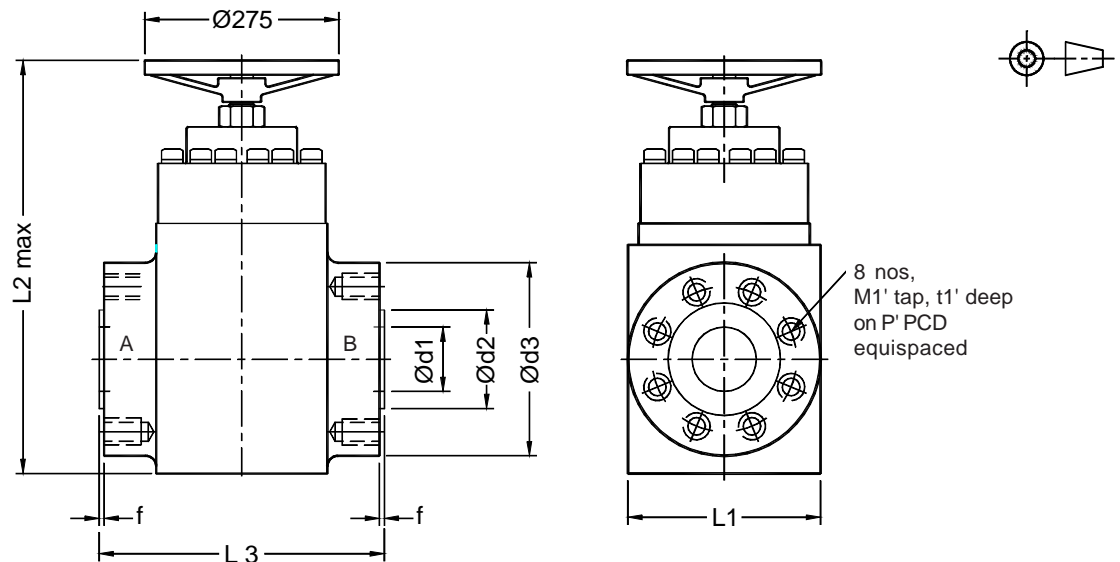


Table 1

Model Code	Flange Standard	Flange Size	Pr (bar)	Ød1	Ød2	Ød3	M1	t1	ØP	f	L1	L2	L3
SLBF-A63-2.0	ANSI B16.5	DN65	250	72	160	245	M27x3.0	41	190.5	7	245	547	350
SLBF-D63-2.0	DIN 2628	NB 65		60	122		M24x3.0	36	180.0	3			
SLBF-A80-2.0	ANSI B16.5	DN 80		270	90	180	M30x3.5	45	203.0	7	270	638	400
SLBF-D80-2.0	DIN 2628	NB 80			78	138	M27x3.0	41	200.0	3			
SLBF-A100-2.0	ANSI B16.5	DN 100		310	110	195	M33x3.5	50	241.5	7	310	785	520
SLBF-D100-2.0	DIN 2628	NB 100			98	162	M30x3.5	45	235.0	3			

Shut off Valve, In-line flange mounting, Model : SLBF-A/D- \ast -2.0



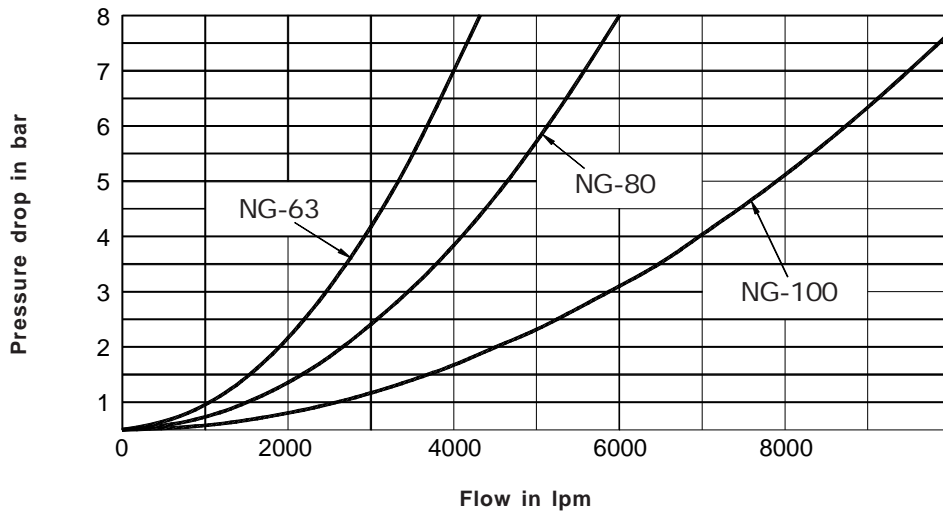
the right connection
the right environment

Ref. No : H04181, Release March 2018 (Dimensions in mm)

Technical Specifications

- Construction Seat type valve with seals on poppet. Partially balanced.
- Mounting type In line flange mounting as per ANSI B16.5 and DIN 2628
- Mounting position Optional
- Flow direction From port `A' to port `B'.
- Operating pressure 250 bar
- Hydraulic medium Mineral oil.
- Viscosity range 10 cSt to 380 cSt.
- Fluid temperature range -20 °C to +70 °C.
- Fluid cleanliness requirement As per ISO 19/16 or better.
- Maximum flow handling capacity Refer graph.

Expected Performance Curves



Ordering Code

