

Shut off Valve, Sub-plate mounting, Model : MHSL



the right connection
the right environment

Ref. No : H04087, Release March 2018 (Dimensions in mm)

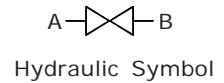
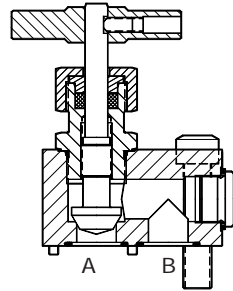
Description

Shut off valves model MHSL are rising spindle, seat type valves with metal seat for leak-free closure between its port 'A' & 'B'.

The mounting interface conforms to Factory standard. Bi-directional flow is possible in this model.

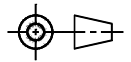
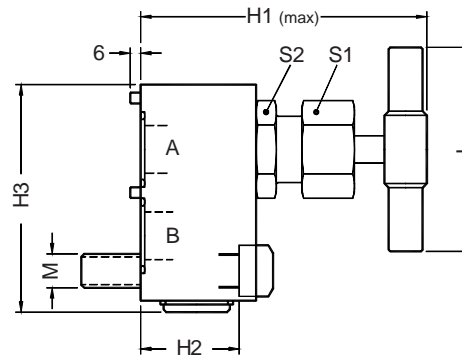
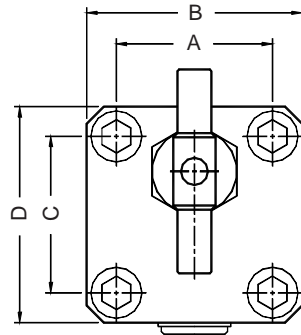


Section



Unit Dimensions

Valve



Model Code	A	B	C	D	H1	H2	H3	L	S1	S2	Valve fixing screws	
											M	Tightening Torque
MHSL11-2.0	47.8	65	60.5	78	106	35	79	64	27	27	M10x50L	16Nm
MHSL19-2.0	65.0	97	81.0	113	135	26	118	84	32	32	M16x50L	117Nm
MHSL28-2.0	92.0	127	92.0	127	186	60	131	120	50	50	M20x90L	238Nm

Technical Specifications

- Construction Seat type.
- Mounting type Sub-plate mounting type.
- Interface Factory standard.
- Flow direction From port 'A' to port 'B'.
- Operating pressure 350 bar.
- Hydraulic medium Mineral oil.
- Viscosity range 10 cSt to 380 cSt.
- Fluid temperature range -20 °C to +70 °C
- Fluid cleanliness requirement As per ISO 19/16 or better.
- Mass
 - MHSL11-2.0 - 1.5 kg.
 - MHSL19-2.0 - 3.6 kg.
 - MHSL28-2.0 - 8.5 kg.
- Maximum flow handling capacity Refer graph.

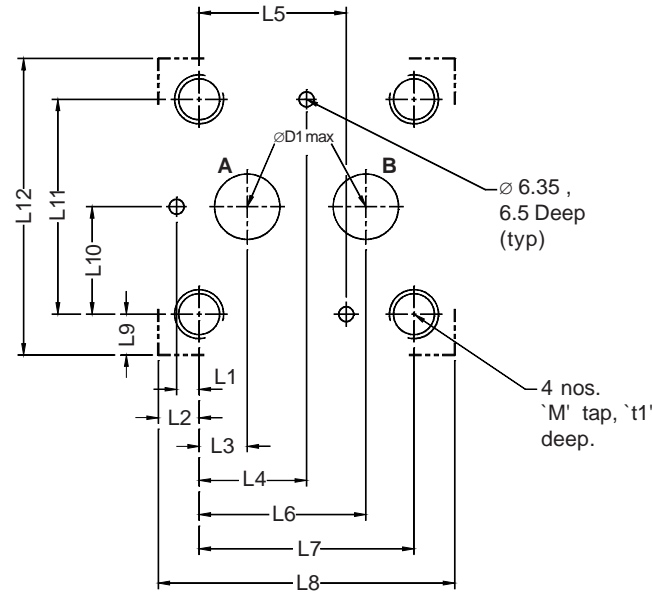
Shut off Valve, Sub-plate mounting, Model : MHSL



the right connection
the right environment

Ref. No : H04087, Release March 2018 (Dimensions in mm)

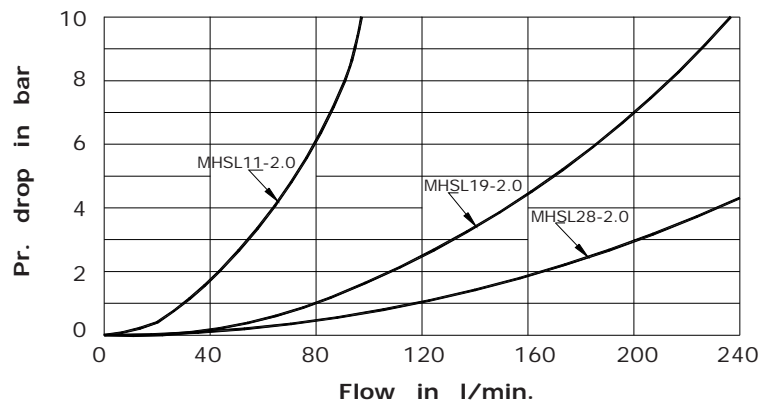
Interface - Factory standard



Model Code	ØD1	L1	L2	L3	L4	L5	L6	L7	L8	L9	L10	L11	L12	M	t1
MHSL11-2.0	11.0	--	8.6	12.7	30.3	47.8	47.8	60.5	78	8.6	23.9	47.8	65	M10	15
MHSL19-2.0	19.0	8.70	16.0	22.2	40.5	--	68.3	81.0	113	16.0	32.5	65.0	97	M16	24
MHSL28-2.0	28.0	9.65	17.5	20.6	46.0	--	71.4	92.0	127	17.5	46.0	92.0	127	M20	30

Performance Curves

Oil used : ISO VG 68,
Viscosity : 68 cSt @ 40 °C
Test conducted at : 50 °C.



Ordering Code

