

Shut off Valve - Cartridge, Model : KHSL



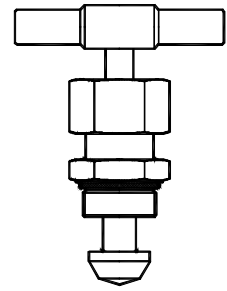
the right connection
the right environment

Ref. No : H04085, Release Mar 2018 (Dimensions in mm)

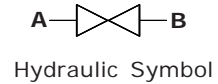
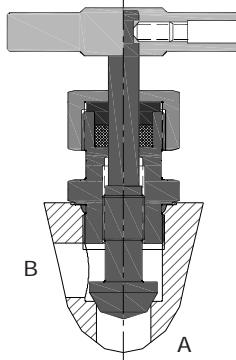
Description

Cartridge type Shut off valves model KHSL are rising spindle, seat type valves with metal seat for leak-free closure between it's port 'A' & 'B'.

The mounting cavity confirms to Factory standard.

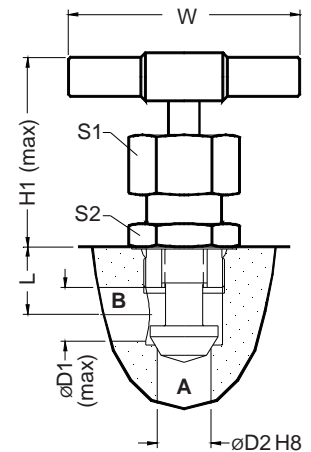


Section

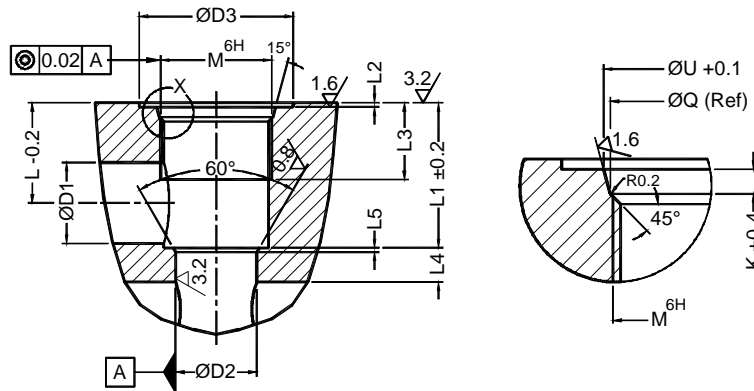


Unit Dimensions

Model Code	Size	L	H1	W	ØD1	ØD2	S1	S2
KHSL08-2.0	8	18	67.5	64	11	8	27	27
KHSL11-2.0	11	18	67.5	64	11	11	27	27
KHSL19-2.0	19	23	88.5	84	19	19	32	32
KHSL28-2.0	28	33	115.0	120	28	28	50	50



Cavity machining details



Model Code	ØD1	ØD2	ØD3	L	L1	ØU	ØQ	L2	L3	L4	L5	K	M
KHSL08-2.0	10	8	31.0	18	24	21.8	20.5	0.2	16	3	0.5	2.4	M20x1.5
KHSL11-2.0	10	11	31.0	18	24	21.8	20.5	0.2	16	3	0.5	2.4	M20x1.5
KHSL19-2.0	19	19	36.0	23	33	27.8	26.5	0.2	18	5	1.0	2.4	M26x1.5
KHSL28-2.0	28	28	54.5	35	51	44.4	42.7	1.0	24	7	1.5	3.1	M42x2.0

Shut off Valve - Cartridge, Model : KHSL



the right connection
the right environment

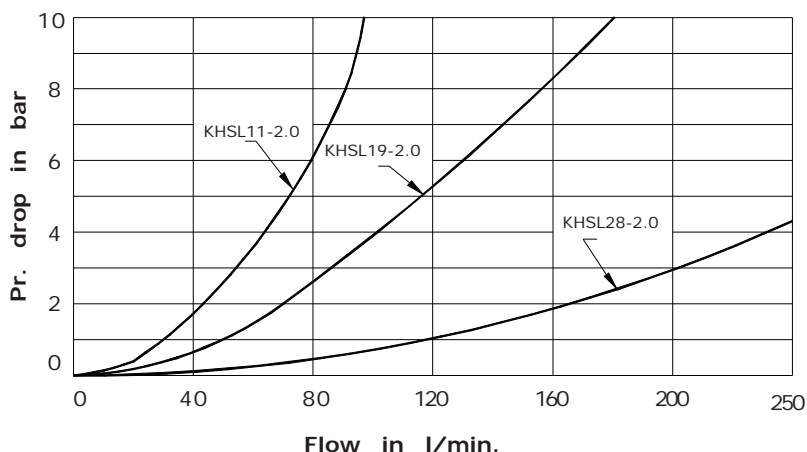
Ref. No : H04085, Release Mar 2018 (Dimensions in mm)

Technical Specifications

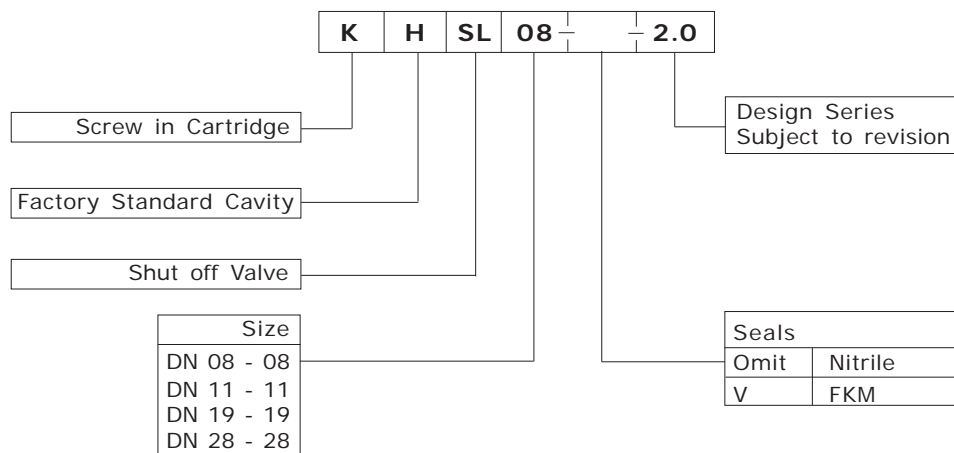
- Construction Seat type valve.
- Mounting Insert in cavity conforming to factory standard.
- Mounting position Optional.
- Flow direction From port `A' to port `B'.
- Operating pressure 350 bar.
- Hydraulic medium Mineral oil.
- Viscosity range 10 cSt to 380 cSt.
- Fluid temperature range -20 °C to +70 °C.
- Fluid cleanliness requirement As per ISO 19/16 or better.
- Maximum flow handling capacity Refer graph.

Performance Curves

- Oil used : ISO VG 68,
- Viscosity : 68 cSt @ 40 °C
- Test conducted at : 50 °C.



Ordering Code



Note : Add prefix 316 to the existing part code for SS 316 valves. e.g. **316-KHSL08-2.0**