

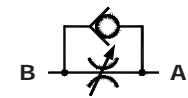
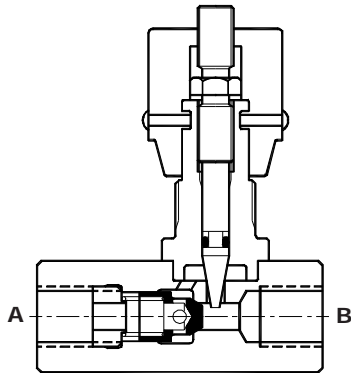
Description

The Valve allows accurate adjustment of flow by throttling action. The throttling can be varied by rotation of the Hand knob.

The valve is also equipped with a built - in check valve for free reverse flow.



Section



Hydraulic Symbol

Unit Dimensions

In-line port (G) mounting

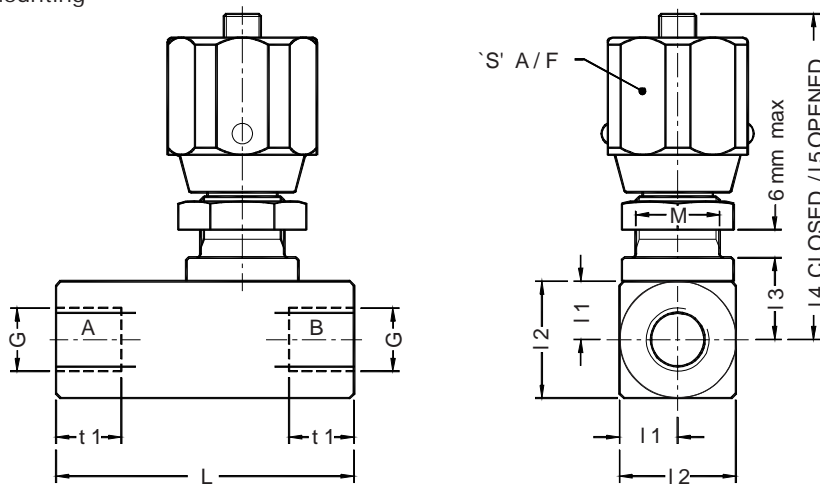
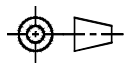


Table 1

Ordering Code	Size	G	I1	I2	I3	I4	I5	M	t1	S	L
TCG02-2.0	NG-06	G 1/4	12.5	25	17.5	69.5	76.5	M18x1.5	12	30	64
TCG03-2.0	NG-08	G 3/8	15.0	30	20.0	72.0	79.0	M18x1.5	13	30	70
TCG04-2.0	NG-10	G 1/2	17.5	35	23.5	89.0	99.0	M22x1.5	14	41	80
TCG06-2.0	NG-15	G 3/4	22.5	45	28.5	94.0	104.0	M22x1.5	17	41	95
TCG08-2.0	NG-20	G1	25.0	50	35.0	128.0	145.0	M36x2.0	18	50	125
TCG10-2.0	NG-25	G1.1/4	30.0	60	40.0	133.0	150.0	M36x2.0	21	50	142
TCG12-2.0	NG-30	G1.1/2	35.0	70	45.0	138.0	155.0	M36x2.0	22	50	150

Throttle/Check Valves, Model : TG/TCG



the right connection

Ref. No : H04737 Release Jan 2006 (Dimensions in mm)

In-line Tube

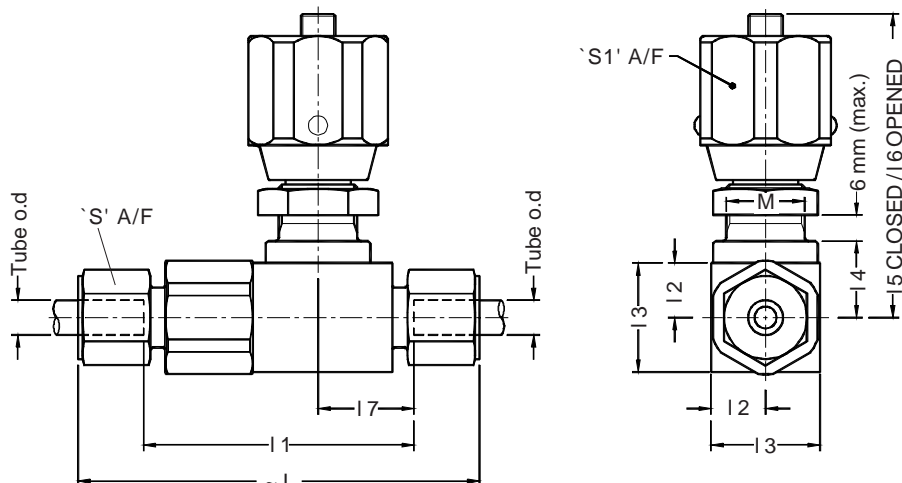


Table 2

Ordering Code	Tube OD	Size	I1	I2	I3	I4	I5	I6	I7	M	S	S1	L
TC06PL-2.0	6-L	NG-06	57.0	12.5	25.0	17.5	69.5	76.5	20.0	M18x1.5	14	30	87.0
TC08PL-2.0	8-L		57.0						20.0		17		87.0
TC06PS-2.0	6-S		61.0						22.0		17		91.0
TC08PS-2.0	8-S		61.0						22.0		19		91.0
TC10PL-2.0	10-L	NG-08	63.0	15.0	30.0	20.0	72.0	79.0	21.0	M18x1.5	19	30	93.0
TC10PS-2.0	10-S		64.0						21.5		22		97.0
TC12PS-2.0	12-S		64.0						21.5		24		97.0
TC12PL-2.0	12-L	NG-10	70.0	17.5	35.0	23.5	89.0	99.0	22.0	M22x1.5	22	41	100.0
TC15PL-2.0	15-L		72.0						23.0		27		102.0
TC14PS-2.0	14-S		74.0						24.0		27		110.0
TC16PS-2.0	16-S		73.0						23.5		30		110.0
TC18PL-2.0	18-L	NG-15	80.5	22.5	45.0	28.5	94.0	104.0	24.5	M22x1.5	32	41	113.5
TC20PS-2.0	20-S		82.5						25.5		36		125.5
TC22PL-2.0	22-L	NG-20	109.0	25.0	50.0	35.0	128.0	145.0	36.5	M36x2.0	36	50	142.0
TC25PS-2.0	25-S		108.0						36.0		46		156.0
TC28PL-2.0	28-L	NG-25	120.0	30.0	60.0	40.0	133.0	150.0	39.5	M36x2.0	41	50	153.0
TC30PS-2.0	30-S		120.0						39.5		50		173.0
TC35PL-2.0	35-L	NG-30	130.0	35.0	70.0	45.0	138.0	155.0	40.5	M36x2.0	50	50	173.0
TC42PL-2.0	42-L		129.0						40.0		60		175.0
TC38PS-2.0	38-S		131.0						41.0		60		193.0

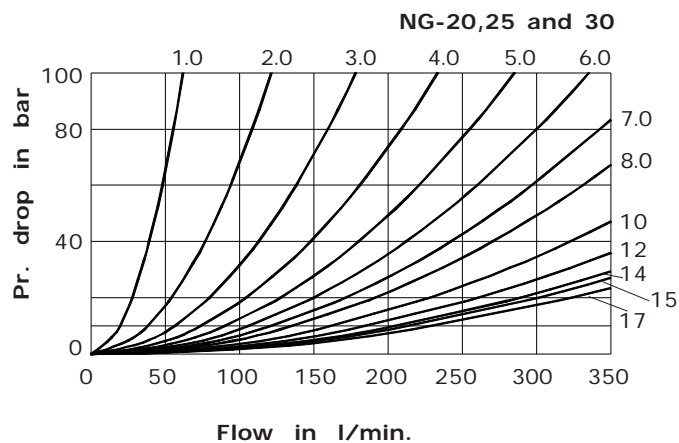
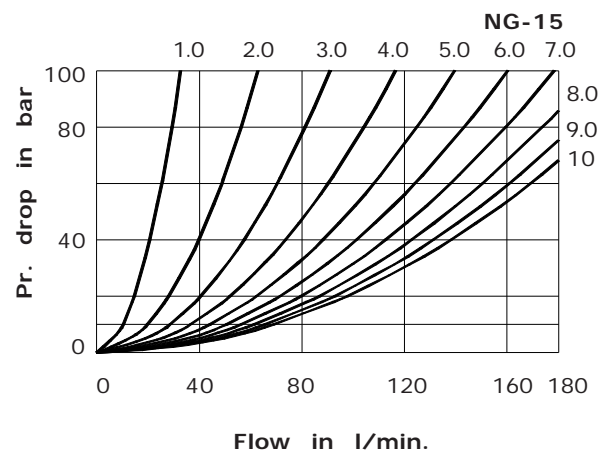
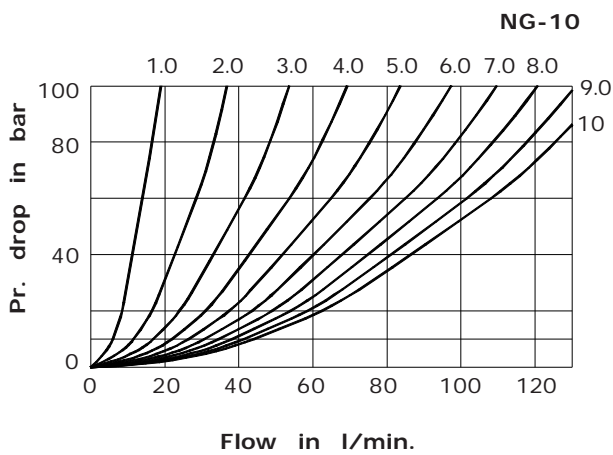
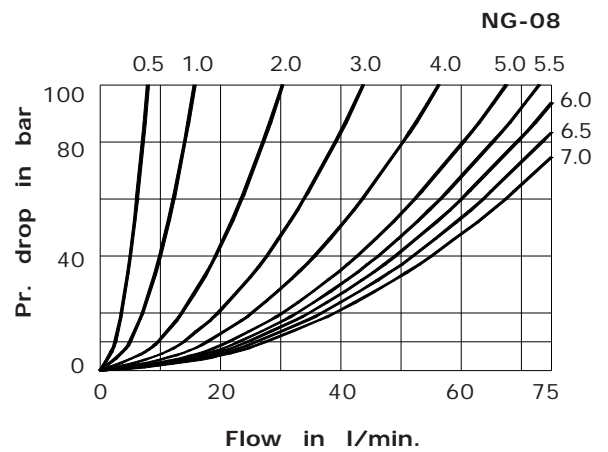
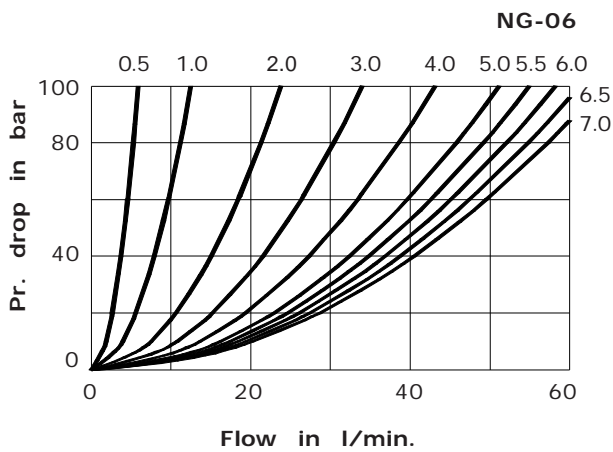
Ordering Code

- Construction Conical throttling spool with rotation of hand knob for flow adjustment. Poppet valve for free reverse flow.
- Mounting style In-line port or tube mounting.
- Mounting position Optional
- Flow direction Adjustable throttled flow from A to B, free flow from B to A as indicated on valve body.
- Operating pressure 315 bar
- Hydraulic medium Mineral Oil.
- Viscosity range 10 cSt to 380 cSt.
- Fluid temperature range -20 °C to +80 °C
- Fluid Cleanliness requirement As per ISO 19/16 or better.
- Nom. flow handling capacity Refer graphs

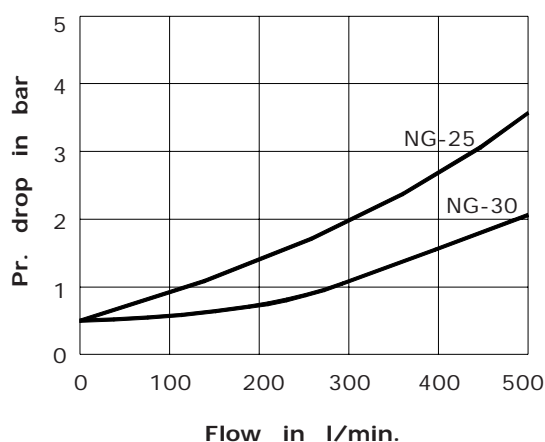
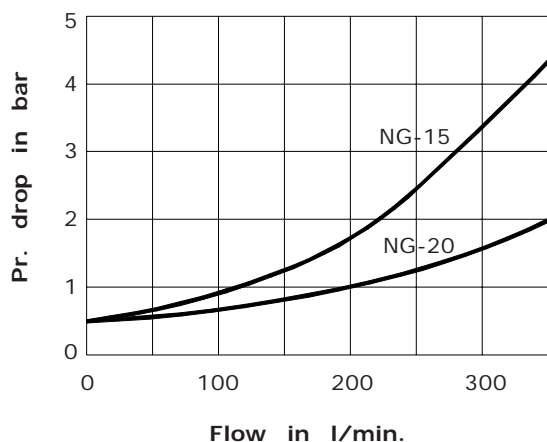
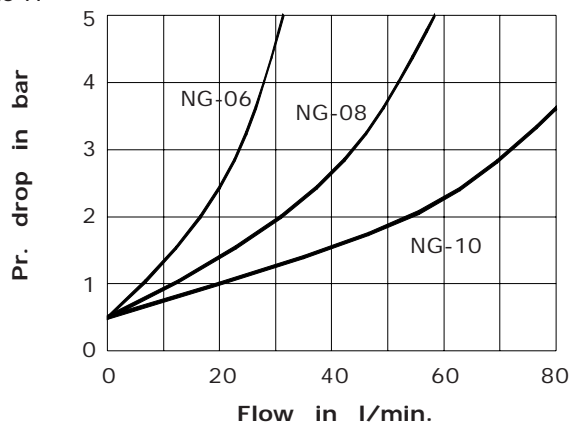
Expected performance Curves

Oil used : ISO VG 68,
 Viscosity : 68 cSt @ 40 °C
 Direction of flow : A to B

Graphs below shows
 Throttle position (No.of turns) from closed position



Direction of free flow from B' to A'



Ordering Code

