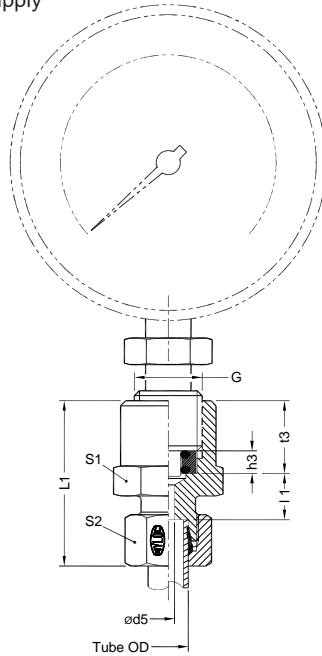


Dimensions in mm

DIN Fittings

Metric Tube end as per ISO 8434
Gauge is not in scope of supply



*

Part No.	Series	Tube od	Connection thread	ød5	h3	L 1	L 1	S 1	S 2	t 3
MAV04PLG02	100 bar	4	G 1/4	2.5	4.5	8.5	33.0	19	14	14.5
MAV06PLG02	250 bar	6	G 1/4	2.5	4.5	7.5	37.5	19	14	14.5
MAV08PLG02		8	G 1/4	5.5	4.5	7.5	37.0	19	17	14.5
MAV10PLG02		10	G 1/4	5.5	4.5	8.5	38.5	19	19	14.5
MAV12PLG02		12	G 1/4	5.5	4.5	8.5	38.0	19	22	14.5
MAV06PLG03	250 bar	6	G 3/8	2.5	5.5	9.5	41.5	22	14	16.5
MAV08PLG03		8	G 3/8	5.5	5.5	9.5	41.0	22	17	16.5
MAV10PLG03		10	G 3/8	5.5	5.5	10.5	42.5	22	19	16.5
MAV12PLG03		12	G 3/8	5.5	5.5	10.5	42.0	22	22	16.5
MAV06PSG03	630 bar	6	G 3/8	3.5	5.5	9.5	41.5	22	17	16.5
MAV08PSG03		8	G 3/8	3.5	5.5	9.5	41.0	22	19	16.5
MAV10PSG03		10	G 3/8	7	5.5	9	42.5	22	22	16.5
MAV12PSG03		12	G 3/8	7	5.5	9	42.0	22	24	16.5
MAV06PSG04	630 bar	6	G 1/2	3.5	5.5	11	46.5	27	17	20
MAV08PSG04		8	G 1/2	3.5	5.5	11	46.0	27	19	20
MAV10PSG04		10	G 1/2	7	5.5	10.5	47.5	27	22	20
MAV12PSG04		12	G 1/2	7	5.5	10.5	47.0	27	24	20