

## Description

**Diagnostic connectors**, hoses, are intended to provide facility to access system pressure for the purpose of pressure measurement.

For transmitting pressure through these couplings to the measuring devices, no special tools are needed. These couplings can be connected by hand even at rated pressure.

These couplings are equipped with protective caps to avoid ingress of foreign particles, when the couplings are not in use. This is also a Safety device against vibration.

These connectors are equipped with swivel nut and O-Ring, which can be directly connected to any fitting with tube end (DIN 2353)

These couplings also can be used for purging air from the system.  
Working Pressure 630 bar (9000 PSI) according to ISO 15171-2

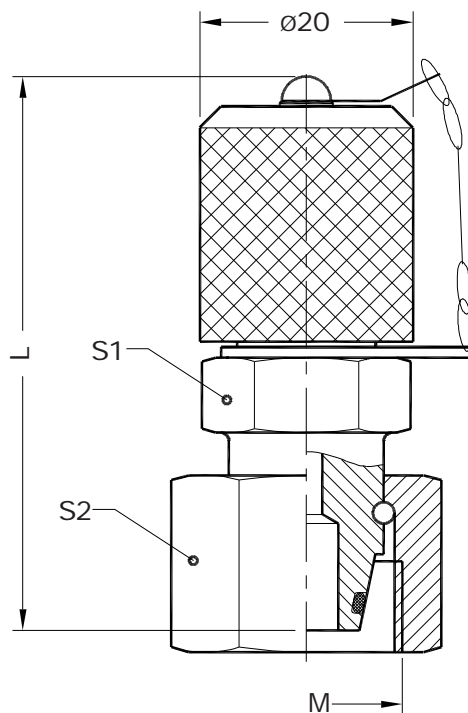


## Unit Dimensions

For **M16 x 2.0 (1620)**, **M16 x 1.5 (1615)**



Hydraulic Symbol



Tube od	Pr. (bar)	M	L	S1	S2
6	315 bar	M12 x 1.5	52.0	17	14
8		M14 x 1.5	52.0	17	17
10		M16 x 1.5	52.0	17	19
12		M18 x 1.5	52.0	17	22
15		M22 x 1.5	52.0	19	27
18	160 bar	M26 x 1.5	52.0	22	32
22		M30 x 2.0	60.0	27	36
6	630 bar	M14 x 1.5	52.0	17	17
8		M16 x 1.5	52.0	17	19
10		M18 x 1.5	52.0	17	22
12		M20 x 1.5	52.0	17	24
16		400 bar	M24 x 1.5	52.0	22
20	M30 x 2.0		63.0	27	36

## Technical Specifications

Construction . . . . . Spring loaded poppet type, opens on assembly by hose.

Materials Body . . . . . Carbon steel. stainless steel on request.

Cap . . . . . Carbon steel or Plastic.

Hydraulic medium . . . . . Mineral oil.

Sealings . . . . . Nitrile (standard) and Viton on request.

Temperature range

With metal cap (Standard) . . . . . Sealing by Nitrile : -30 °C to +120 °C

Viton : -20 °C to +200 °C

with Plastic cap (Optional) . . . . . Sealing by Nitrile : -30 °C to +100 °C

Viton : -20 °C to +100 °C

## Ordering Code

**MMC 1620 VK 06L P 304 V 20**

Diagnostic Coupling

Design Series

Micro bore flex hose thread size	
M16 x 2.0	1620
M16 x 1.5	1615
Special threads 12 x 1.5	1215

Seal material	
Omit	Nitrile 90 Shore
V	Viton 90 shore

Diagnostic Connector **VK**

Body material	
Omit	Carbon steel
304	SS - 304
316	SS - 316

Tube end	Size
6 OD (LP Series)	06L
8 OD (LP Series)	08L
10 OD (LP Series)	10L
12 OD (LP Series)	12L
15 OD (LP Series)	15L
18 OD (LP Series)	18L
22 OD (LP Series)	22L
6 OD (HP Series)	06S
8 OD (HP Series)	08S
10 OD (HP Series)	10S
12 OD (HP Series)	12S
16 OD (HP Series)	16S
20 OD (HP Series)	20S

Protective Cap	
Omit	Metal Cap
P	Plastic Cap

Note :

- Other materials are available on request.
- Steel couplings are Zinc plated and Yellow chromated.
- Other surface treatments are also available. To be specified by clear text.